



5 Candeb Ct. • Suite #3 • Manalapan, NJ 07726-8438  
Phone 732-617-1177 • Fax 732-536-7508  
Cell 908-770-6543 • www.mannystone.com

- ▶ TRADE SHOW EXHIBITS
- ▶ WINDOW DISPLAYS
- ▶ SHOWROOMS
- ▶ DISPLAY MATERIALS
- ▶ VISUAL MERCHANDISING

## **CREATIVE TRADE SHOW PRESENTATIONS PERSONALLY DESIGNED FOR YOU.**

**A Trade Show Display by Manny Stone Decorators  
Can Be Your Company's Most Valuable Sales Tool!**

### **We offer:**

- ▶ Wall Mounted Grids, Rolling Racks and Auto Poles
- ▶ Flame Resistant Foam Board In Any Color
- ▶ Hard Wall Booths Painted or Covered In Vinyl Or Felt
- ▶ Professional Trimmers and Visual Merchandisers
- ▶ Computer Graphics & Signs
- ▶ Supervision of Union Labor At The Jacob K. Javits Convention Center

We are a family owned business offering three generations of visual merchandising expertise. Verbal, written and visual communications are the keys to 56 years of success.

**For more information on show services and display materials,  
please contact Lloyd Stone by phone at 732-617-1177.**



5 CANDEUB CT. • SUITE #3 • MANALAPAN, NJ 07726-8438  
**PHONE (732) 617-1177 • FAX (732) 536-7508**  
**CELL (908) 770-6543 • www.mannystone.com**

# fame.

**Jacob K. Javits Convention Center, NY**  
**May 4 - 6, 2008**

## GRID, SALESMAN'S RACK & ARM LAMP RENTAL ORDER FORM

GRIDS	QTY.	UNIT PRICING		(A)(B) TOTALS	GRIDS	QTY.	UNIT PRICING		(C)(D)(E) TOTALS
<b>GRID</b> <small>CIRCLE ONE</small> WHITE • BLACK • CHROME 2' x 8' Grid Installed		<b>DISCOUNT</b> \$109 each	<b>SHOW</b> \$119 each	(A)	<b>SALESMAN'S RACK</b>		<b>DISCOUNT</b> \$69 each	<b>SHOW</b> \$79 each	(C)
<b>200W HALOGEN ARM LAMP*</b>		<b>DISCOUNT</b> \$86 each	<b>SHOW</b> \$96 each	(B)	Hand Held <b>Jiffy® Steamer</b> 600 watts of power, lightweight, compact. Uses regular tap water.		<b>PURCHASE PRICE</b> \$89 each PLUS \$11.00 SHIPPING & HANDLING		(D)
*Power & Labor Excluded. For use in Hard Wall Booths Only. Foam Board available upon request. Please call for pricing.					<b>WHITE MASONITE FLOORING</b>		<b>DISCOUNT</b> \$4.00 sq. ft.	<b>NOT AVAILABLE AFTER</b> 4/14/08	(E)

**Show Rates apply on all orders received after April 14, 2008.**



**TERMS:** Payment in full with placement of order.  
**CANCELLATION:** 50% restocking fee with non refundable 50% balance to be applied to a future show at the Javits Center within 12 months.

**PAYMENT:** (please circle one)  
 Company Check    Certified Check    Mastercard    Visa    American Express  
 Card # \_\_\_\_\_ Exp. Date \_\_\_\_\_

**Security # (3 digit # on back of card)** \_\_\_\_\_  
 Card Holder (please print) \_\_\_\_\_  
 Card Holder's Signature \_\_\_\_\_

Company Name \_\_\_\_\_ Contact \_\_\_\_\_

**Credit Card Billing Address** \_\_\_\_\_

City \_\_\_\_\_ State \_\_\_\_\_ Zip \_\_\_\_\_

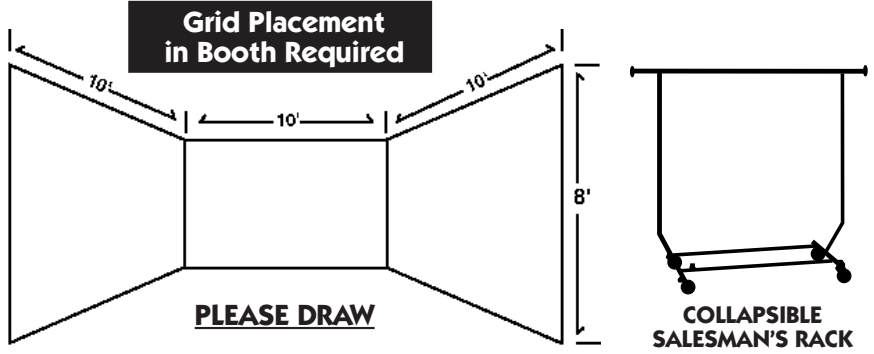
Phone \_\_\_\_\_ Fax \_\_\_\_\_

Cell # \_\_\_\_\_ E-mail Address \_\_\_\_\_

**Estimated Time of Your Arrival**  
 Date \_\_\_\_\_ Time \_\_\_\_\_

**MUST INCLUDE YOUR BOOTH #**

**Fax Orders To: (732) 536-7508**  
 Mail Orders To:  
 Manny Stone Decorators  
 5 Candeub Ct., Suite #3, Manalapan, NJ 07726-8438



TOTAL A	
TOTAL B	
TOTAL C	
TOTAL D	
TOTAL E	
SUBTOTAL	
8.375% NYC SALES TAX	
FUEL SURCHARGE 5% OF SUBTOTAL BEFORE TAX	
<b>TOTAL</b>	



5 CANDEUB CT. • SUITE #3 • MANALAPAN, NJ 07726-8438  
**PHONE (732) 617-1177 • FAX (732) 536-7508**  
**CELL (908) 770-6543 • www.mannystone.com**

# fame.

**Jacob K. Javits Convention Center, NY**  
**May 4 - 6, 2008**

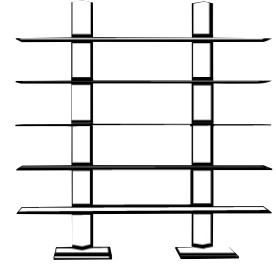
## FREE STANDING • NESTING • MAPLE SHELVING ORDER FORM

**Features and Benefits:** Using multiple maple shelving units creates continuous runs of uninterrupted horizontal display surface. Attractive, contemporary styling that puts the focus on your product. A great displayer for gift items, folded garments & shoes.  
**Nesting Shelves Specifications:** Dimensions: Unit heights 72" • Five shelves 31" or 70" long, 11.75" deep • Bottom shelf 12" from floor • 12" gap between each shelf. **Materials:** Polyurethaned maple ply.

SHELVES	QTY.	INSTALLED		(A)(B)(C)(D) TOTALS
31" NESTING MAPLE SHELVES		DISCOUNT <b>\$160</b> each	SHOW <b>\$210</b> each	(A)
70" NESTING MAPLE SHELVES		DISCOUNT <b>\$295</b> each	SHOW <b>\$360</b> each	(B)
31" NESTING WHITE SHELVES		DISCOUNT <b>\$200</b> each	SHOW <b>\$270</b> each	(C)
70" NESTING WHITE SHELVES		DISCOUNT <b>\$335</b> each	SHOW <b>\$400</b> each	(D)



Nesting 31"



Nesting 70"

Accurate photos of shelving items can be viewed on our web site at [www.msdsow.com](http://www.msdsow.com) — click on accessories of an exhibit



Show Rates apply on all orders received after April 14, 2008.

**TERMS:** Payment in full with placement of order.  
**CANCELLATION:** 50% restocking fee with non-refundable 50% balance to be applied to a future show at the Javits Center within 12 months.  
**PAYMENT:** (please circle one)

Company Check    Certified Check    Mastercard    Visa    American Express

Card # \_\_\_\_\_ Exp. Date \_\_\_\_\_

Security # (3 digit # on back of card) \_\_\_\_\_

Card Holder (please print) \_\_\_\_\_

Card Holder's Signature \_\_\_\_\_

Company Name \_\_\_\_\_ Contact \_\_\_\_\_

Credit Card Billing Address \_\_\_\_\_

City \_\_\_\_\_ State \_\_\_\_\_ Zip \_\_\_\_\_

Phone \_\_\_\_\_ Fax \_\_\_\_\_

Cell # \_\_\_\_\_ E-mail Address \_\_\_\_\_

**Estimated Time of Your Arrival**  
 Date \_\_\_\_\_ Time \_\_\_\_\_

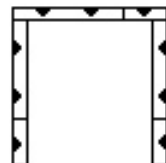
**MUST INCLUDE YOUR BOOTH #**

**Fax Orders To: (732) 536-7508**

Mail Orders To:  
 Manny Stone Decorators  
 5 Candeub Ct., Suite #3, Manalapan, NJ 07726-8438

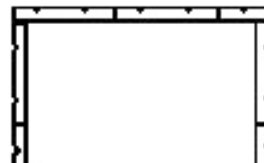
### Shelving Placement in Booth Required

10 x 10 BOOTH



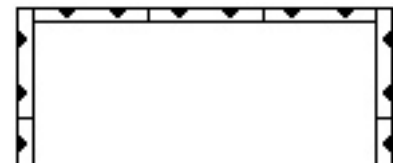
3 (31") Units plus 3 (70") Units

10 x 15 BOOTH



3 (31") Units plus 4 (70") Units

10 x 20 BOOTH



2 (31") Units plus 5 (70") Units